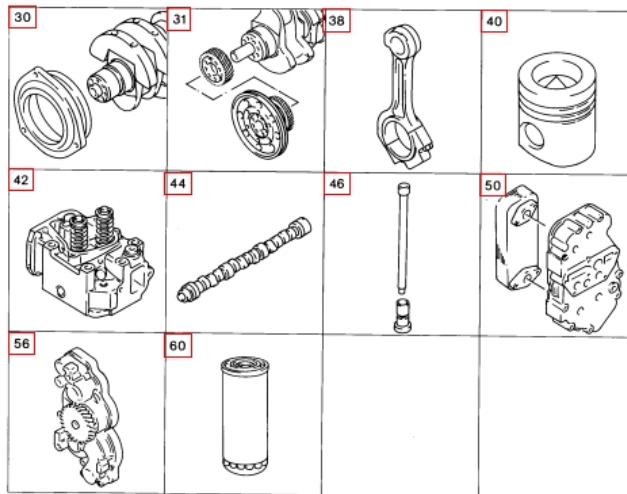


Machine : Serial no. : Assembly : 3 0000 91 33 643
 Type : DIESEL ENGINE

Pos	Order Nr.	Quantity	Designation	Serial from	Serial to	VNW	FabNo
1		1,000	CRANKCASE CPL. (->3 0100 91 43 479)				
3		1,000	POWER UNIT SUPPORT (->3 0170 92 68 352)		0089010058		
3		(1,000)	POWER UNIT SUPPORT (->3 0170 92 66 856)	0089010059			
5		1,000	INTERMEDIATE GEAR PRE-ASSY. (->3 0140 92 74 589)				
7		1,000	FINAL CONTROL VALVE (->3 0120 91 42 744)				
9		4,000	PISTON COOLING (->3 0150 91 46 644)				
11		1,000	CRANKCASE BREATHER (->3 0160 91 48 809)				
16		1,000	OIL SUMP WITH FASTENING (->3 0200 92 66 853)				
18		1,000	OIL DIPSTICK WITH PIPE (->3 0210 92 66 854)				
20		1,000	OIL FILLER INLET (->3 0230 92 67 232)		0089010058		
20		(1,000)	OIL FILLER INLET (->3 0230 91 46 976)	0089010059			
26		4,000	CYLINDER (->3 0130 91 77 758)				
28	92 66 921	1,000	CRANKSHAFT (->3 0500 92 66 921)				
29		1,000	CRANKSHAFT BEARINGS (->3 0510 91 42 739)				

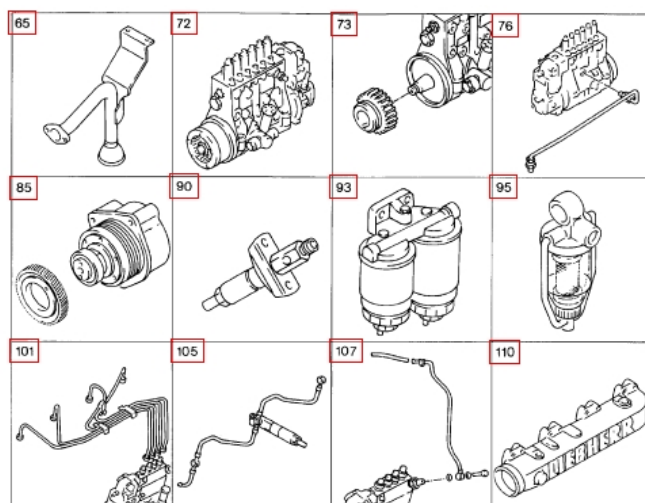
(1/5) 105737 LHB



Machine : Serial no. : Assembly : 3 0000 91 33 643
 Type : DIESEL ENGINE

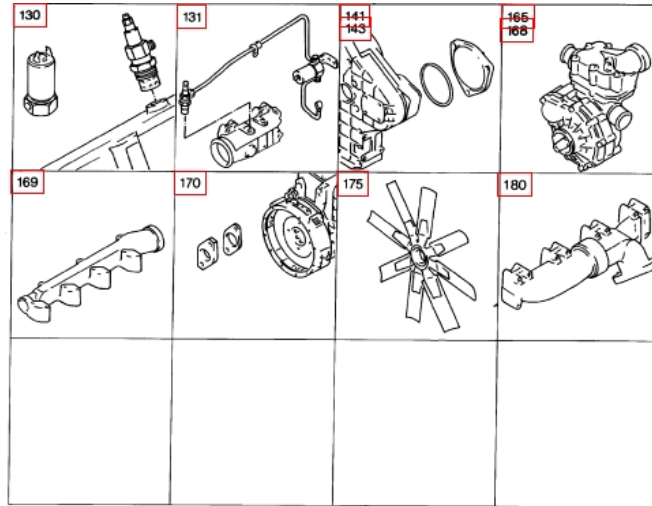
Pos	Order Nr.	I	Quantity	Designation	Serial from	Serial to	VNW	FabNo
30			1,000	CRANKSHAFT SEALING (->3 0520 91 77 489)				
31			1,000	DRIVING PIECES (->3 0540 91 77 158)				
38		i	4,000	CONROD (->3 0600 91 75 978)				
40	91 78 425		4,000	PISTON d=45 (->3 0700 91 78 425)				
42			4,000	CYLINDER HEAD (->3 0800 92 67 172)		0089010338		
42			(4,000)	CYLINDER HEAD CPL. (->3 0800 92 69 918)	0089010339			
44			1,000	CAMSHAFT (->3 1000 91 43 615)				
46			4,000	CONTROL PARTS (->3 1100 91 77 490)				
50			1,000	OIL COOLER (->3 1300 91 77 904)				
56			1,000	LUBRICATING OIL PUMP (->3 1400 91 44 549)				
60			1,000	LUBE OIL FILTER ASSEMBLY (->3 1500 91 44 588)				

(2/5) 105738 LHB



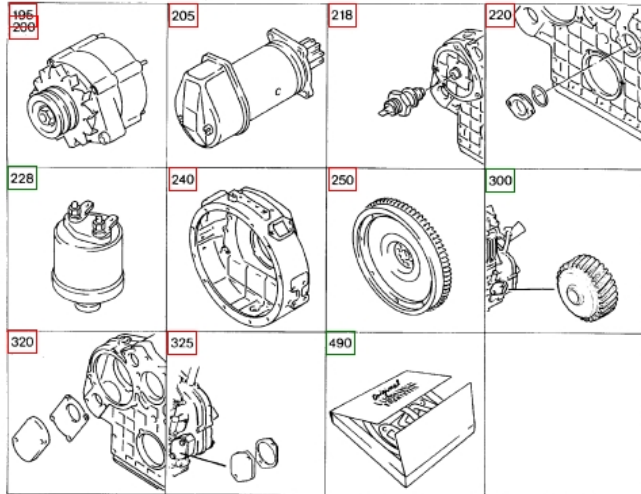
Machine : Serial no. : Assembly : 3 0000 91 33 643
 Type : DIESEL ENGINE

Pos	Order Nr.	Quantity	Designation	Serial from	Serial to	VNW	FabNo
65		1,000	OIL LINE 32X1,5 (->3 1600 91 44 750)				
72	92 67 674	1,000	INJECTION PUMP REGUL.DAT.SHEET (->3 1700 92 67 674)				
73		1,000	ADD-ON PARTS A-PUMPE (->3 1710 91 43 902)				
76		1,000	LUBRICATING OIL LINE (->3 1730 91 43 900)				
85		1,000	DRIVE FOR INJECTION PUMP (->3 1800 91 35 250)		0096011581		
85		1,000	DRIVE FOR INJECTION PUMP (->3 1800 92 67 480)	0096011582			
90		4,000	INJECTION NOZZLE W.FASTENING (->3 1900 92 68 733)				
93		1,000	FUEL LEVEL BOX FILTER (->3 2001 91 30 802)				
95	73 60 197	1,000	FUEL PRIMARY CLEANER (->3 2010 73 60 197)				
101	91 40 419	1,000	INJECTION LINES (->3 2100 91 40 419)				
105		1,000	OVERFLOW-OIL LINE (->3 2110 91 79 175)				
107		1,000	LEAK OIL RETURN LINE 5X1 (->3 2112 91 45 179)				
110		1,000	AIR SUCTION PIPE (->3 2200 91 76 148)				



Machine : Serial no. : Assembly : 3 0000 91 33 643
 Type : DIESEL ENGINE

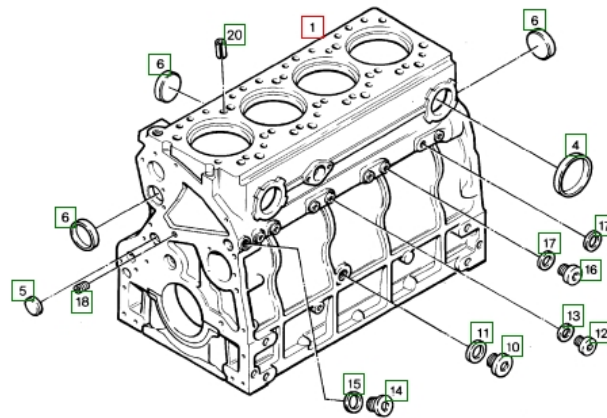
Pos	Order Nr.	I	I	Quantity	Designation	Serial from	Serial to	VNW	FabNo
130				1,000	FLAME STARTING SYSTEM 280 (->3 2600 91 77 491)				
131				1,000	FUEL LINES 4NA + T (->3 2610 91 41 178)				
141				1,000	LOCKING PIECES (->3 3300 91 44 621)				
143				1,000	LOCKING PIECES (->3 3300 92 66 859)				
165				1,000	WATER PUMP WITH FASTENING (->3 3700 91 43 922)				
168	92 66 966			1,000	WATER PUMP F.SPARE PARTS (->3 3730 92 66 966)				
169				1,000	WATER COLLECTING PIPE 4 ZYL. (->3 3800 91 77 168)				
170				1,000	LOCKING PIECES (->3 3806 91 78 172)				
175				1,000	FAN ATTACHMENT (->3 3900 92 67 139)				
180				1,000	EXHAUST PIPE D904 NA (->3 4100 91 47 990)				



Machine : Serial no. : Assembly : 3 0000 91 33 643
 Type : DIESEL ENGINE

Pos	Order Nr.	Quantity	Designation	Serial from	Serial to	VNW	FabNo
195		1,000	GENERATOR, PRE-ASSEMBLED (->3 4420 92 66 711)				
200		1,000	ADD-ON PARTS GENERATOR (->3 4400 91 45 815)				
205		1,000	STARTER (->3 4500 91 77 492)				
218		1,000	DRIVE FOR INSTRUMENTATION (->3 5110 91 35 246)		0096011581		
218		1,000	DRIVE FOR INSTRUMENTATION (->3 5110 92 67 482)	0096011582			
220		1,000	LOCKING PIECES (->3 5100 91 44 281)				
228	60 00 900	1,000	PRESSURE TRANSMITTER 0-5bar				
240		1,000	FLYWHEEL HOUSING SAE 2 (->3 5200 91 35 137)				
250		1,000	FLYWHEEL (->3 5300 91 44 623)				
300	91 43 638	1,000	GEAR WHEEL				
320		1,000	END COVER 50 (->3 6500 91 78 290)				
325		1,000	END COVER OHNE N-A. (->3 6500 91 43 636)				
490	92 68 135	1,000	SEAL KIT DIESEL ENGINE D904				

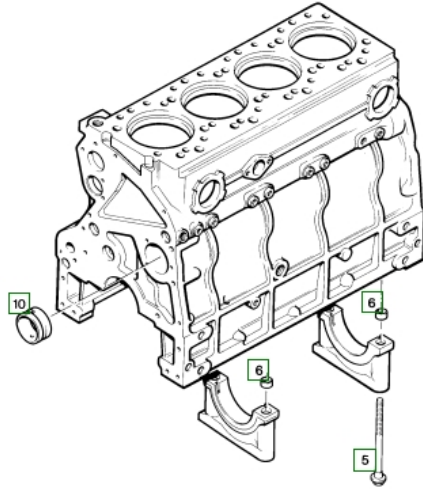
(5/5) 105741 LHB



Machine : Serial no. : Assembly : 3 0100 91 43 479
 Type : DIESEL ENGINE

Pos	Order Nr.	I	Quantity	Designation	Serial from	Serial to	VNW	FabNo
1			1,000	CRANKCASE (->3 0110 91 43 477)				
4	40 01 904		2,000	END COVER B/63				
5	40 01 903		2,000	END COVER B/24				
6	40 01 664		5,000	END COVER B/45				
10	40 00 407		2,000	SCREW PLUG DIN 908 M26X1,5 ST				
11	71 01 019		2,000	SEALING RING DIN 7603 A 26X31				
12	46 00 319		7,000	SCREW PLUG DIN 908 M10X1 ST A3C				
13	70 07 952	i	7,000	SEALING RING DIN 7603 A 10X15X1				
14	46 00 320		1,000	SCREW PLUG DIN 908 M18X1,5 ST A3C				
15	40 00 935		2,000	SEALING RING DIN 7603 A 18X24				
16	40 41 202		2,000	SCREW PLUG DIN 908 M14X1,5 ST				
17	71 01 008		2,000	SEALING RING DIN 7603 A 14X18				
18	49 80 308		1,000	GRUB SCREW ISO 4766 M8X8 14H A2E				
20	40 01 681		8,000	DOWEL PIN 18				

(1/1) 100608 LHB

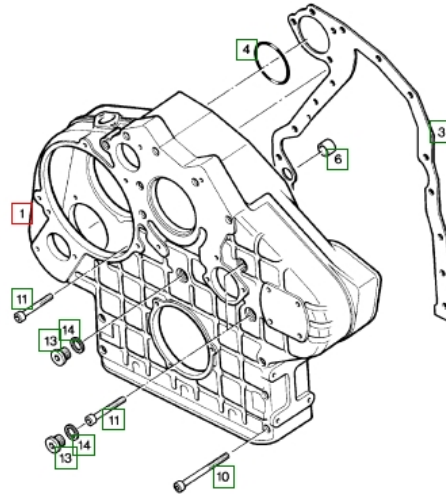


Machine :
Type : DIESEL ENGINE

Serial no. : Assembly : 3 0110 91 43 477

Pos	Order Nr.	I	Quantity	Designation	Serial from	Serial to	VNW	FabNo
5	91 75 902		10,000	HEX SCREW M18X1,9X170X80				
6	91 77 636		10,000	TIGHT FIT SLEEVE 15,5X19,5X24				
10	91 32 281		5,000	CAMS SHAFT BUSHING				

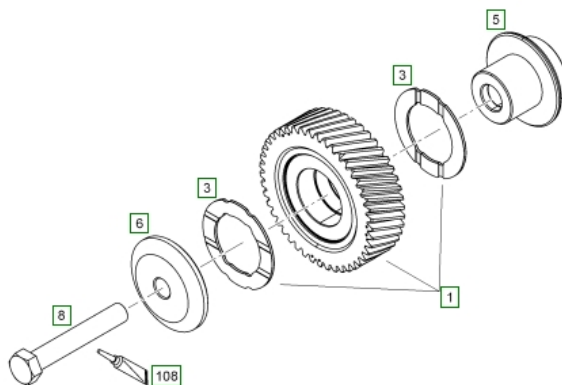
(1/1) 100605 LHB



Machine : Serial no. : Assembly : 3 0170 92 68 352
 Type : DIESEL ENGINE

Pos	Order Nr.	I	I	Quantity	Designation	Serial from	Serial to	VNW	FabNo
1	92 68 351			1,000	POWER UNIT SUPPORT (->3 0171 92 68 351)				
3	92 68 863			1,000	SEAL				
4	73 81 790			1,000	O-RING DIN 3771 56,74X3,53				
6	91 78 018			1,000	TIGHT FIT SLEEVE 15,5X20X15,25				
10	10 87 55 94			13,000	SOCKET HEAD SCREW ISO 4762 M8X100 8.8 480H				
11	46 00 144			4,000	SOCKET HEAD SCREW ISO 4762 M8X65 8.8 A2C				
13	46 00 320			3,000	SCREW PLUG DIN 908 M18X1,5 ST A3C		2004000000		
13	73 80 688	I		3,000	SCREW PLUG M18X1,5	2004000001			
14	40 00 935			3,000	SEALING RING DIN 7603 A 18X24		2004000000		

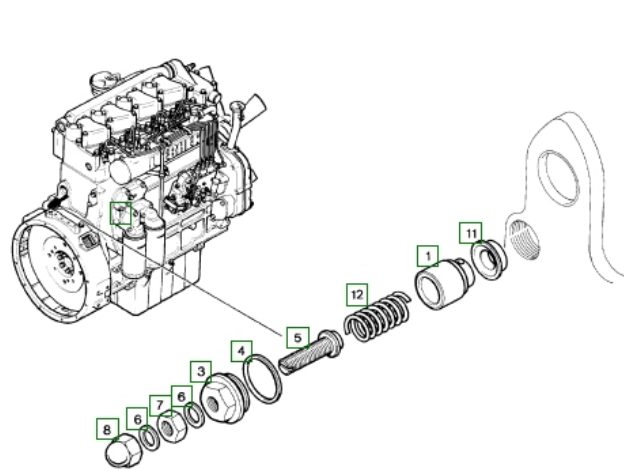
(1/1) 100591 LHB



Machine : Serial no. : Assembly : 3 0140 92 74 589
 Type : DIESEL ENGINE

Pos	Order Nr.	Quantity	Designation	Serial from	Serial to	VNW	FabNo
1	98 84 255	1,000	RK INTERMEDIATE GEAR				
3	98 82 567	2,000	WEARING RING				
5	91 75 981	1,000	HUB				
6	91 75 982	1,000	THRUST WASHER 16,5X80X16				
8	40 62 066	1,000	HEX SCREW ISO 4014 M16X100 10.9 FLZN				
108	81 12 057 08	0,005	SCREW LOCKING 50ML FLASCHE BLAU				

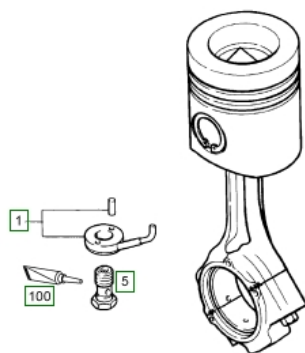
(1/1) 128153 LHB



Machine : Serial no. : Assembly : 3 0120 91 42 744
 Type : DIESEL ENGINE

Pos	Order Nr.	I	Quantity	Designation	Serial from	Serial to	VNW	FabNo
1	91 40 206		1,000	PISTON			6, 2	
3	91 77 767		1,000	SCREW PLUG M30X2 11SMnPb30+C			6, 2	
4	71 01 021		1,000	SEALING RING DIN 7603 A 30X36X2			6, 2	
5	91 77 768		1,000	SCREW M12X42X5,3 8.8			6, 2	
6	71 01 007		2,000	SEALING RING DIN 7603 A 12X18			6, 2	
7	91 42 746		1,000	HEX NUT M12			6, 2	
8	41 21 004		1,000	CAP NUT M12			6, 2	
11	91 33 637		1,000	VALVE SEAT			6, 2	
12	91 45 973	i	1,000	PRESSURE SPRING 2,25X18X62			6, 2	

(1/1) 100600 LHB

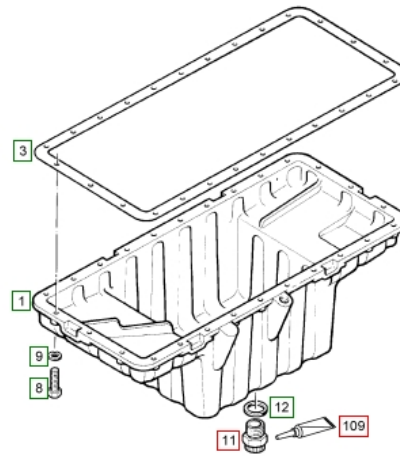


Machine :
Type : DIESEL ENGINE

Serial no. : Assembly : 3 0150 91 46 644

Pos	Order Nr.	I	Quantity	Designation	Serial from	Serial to	VNW	FabNo
1	91 35 725		1,000	PISTON COOLING PRE-ASS.				
1	40 01 553		(1,000)	-DOWEL PIN 4				
5	91 46 647		1,000	OVERPRESSURE VALVE				
100	70 16 208		1,000	OMNIFIT				

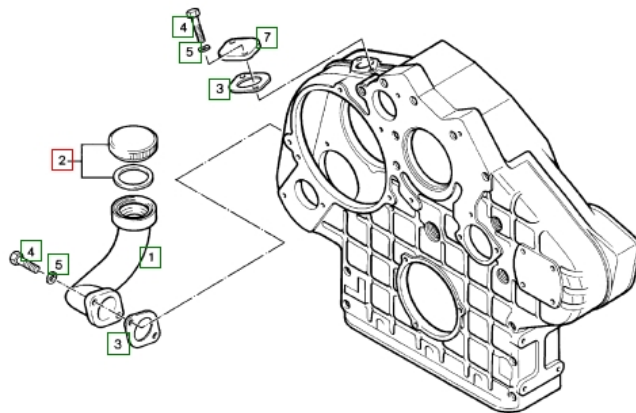
(1/1) 128150 LHB



Machine : Serial no. : Assembly : 3 0200 92 66 853
 Type : DIESEL ENGINE

Pos	Order Nr.	Quantity	Designation	Serial from	Serial to	VNW	FabNo
1	92 66 849	1,000	OIL SUMP				
1	91 35 971	(1,000)	-THREADED INSERT M30				
3	92 68 110	1,000	SEAL				
8	11 82 65 27	26,000	HEX SCREW ISO 4017 M8X30 8.8 480H				
9	46 00 615	26,000	SPRING WASHER B 8				
11	50 04 624	1,000	OIL DRAIN PLUG M 30 1,5 (->2 7109 50 04 624)				
12	71 01 021	1,000	SEALING RING DIN 7603 A 30X36X2				
109	12 20 59 48	0,000	SEALANT (->0 0099 12 20 59 48)				

(1/1) 100586 LHB

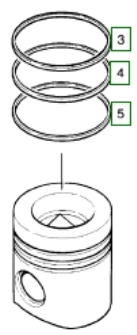


Machine :
Type : DIESEL ENGINE

Serial no. : Assembly : 3 0230 91 46 976

Pos	Order Nr.	Quantity	Designation	Serial from	Serial to	VNW	FabNo
1	91 46 975	1,000	FILLER NECK				
2	91 44 757	1,000	END COVER 60/64 (->3 3301 91 44 757)				
2	91 44 762	(1,000)	-SEAL				
3	92 75 766	2,000	SEAL TD2				
4	11 64 22 61	4,000	HEX SCREW ISO 4017 M8X25 8.8 480H				
5	46 00 615	4,000	SPRING WASHER B 8				
7	90 77 777	1,000	COVER				

(1/1) 101864 LHB

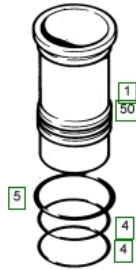


Machine :
Type : DIESEL ENGINE

Serial no. : Assembly : 3 0710 92 66 934

Pos	Order Nr.	Quantity	Designation	Serial from	Serial to	VNW	FabNo
3	70 06 568	1,000	T-RING				
4	40 01 728	1,000	PISTON RING				
5	70 09 655	1,000	DSF RING 115X106X4				

(1/1) 100667 LHB



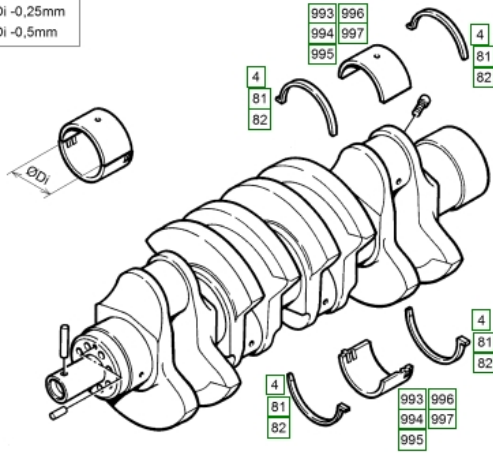
Machine :
Type : DIESEL ENGINE

Serial no. : Assembly : 3 0130 91 77 758

Pos	Order Nr.	I	Quantity	Designation	Serial from	Serial to	VNW	FabNo
1	91 77 159		1,000	CYLINDER BUSHING				
4	73 81 912		2,000	O-RING 120,50X3,53				
5	91 77 941		1,000	O-RING DIN 3771 128X2,2				
50	92 78 859		1,000	REP-CYLINDERBUSHING D=115				

(1/1) 119874 LHB

RS = ØDi
 RS1 = ØDi -0,25mm
 RS2 = ØDi -0,5mm

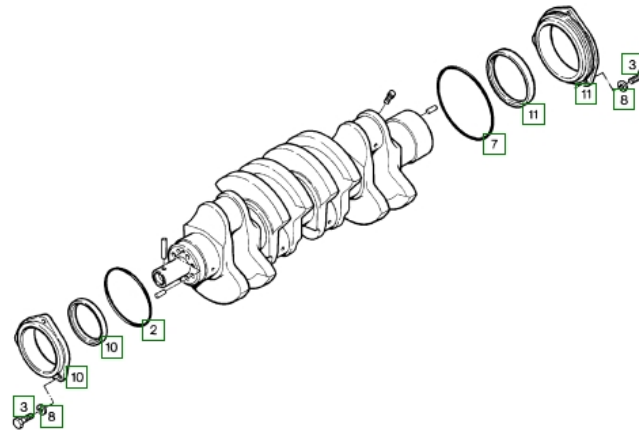


Machine :
 Type : DIESEL ENGINE

Serial no. : Assembly : 3 0510 91 42 739

Pos	Order Nr.	I	Quantity	Designation	Serial from	Serial to	VNW	FabNo
4	91 42 886		4,000	THRUST WASHER 109X129X3,375				
81	91 32 120		4,000	THRUST WASHER 109X129X3,5				
82	91 32 121		4,000	THRUST WASHER 109X129X3,625				
993	91 57 847		(5,000)	REP. SET MAIN BEARING				
994	91 57 848		(5,000)	RK1 MAIN BEARING				
995	91 57 849		(5,000)	RK2 MAIN BEARING				
996	91 57 850		(5,000)	RK3 MAIN BEARING				
997	91 57 851		(5,000)	RK4 MAIN BEARING				

(1/1) 100598 LHB

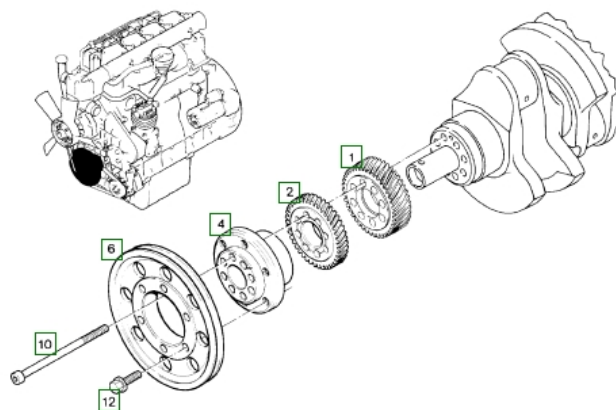


Machine :
Type : DIESEL ENGINE

Serial no. : Assembly : 3 0520 91 77 489

Pos	Order Nr.	I	I	Quantity	Designation	Serial from	Serial to	VNW	FabNo
2	91 77 942			1,000	O-RING DIN 3771 113,67X5,33				
3	11 64 48 99			6,000	HEX SCREW ISO 4017 M6X20 8.8 480H				
7	91 77 943			1,000	O-RING DIN 3771 132,72X5,33				
8	49 01 089			6,000	SPRING WASHER B 6				
10	91 77 487			1,000	CRANKSHAFT SEALING FRONT				
10	70 06 433		(1,000)		-ROTARY SHAFT LIP SEAL X90X110X12				
11	91 77 488			1,000	CRANKSHAFT SEALING REAR				
11	70 06 434		(1,000)		-SHAFT SEAL X105X130X15				

(1/1) 100597 LHB

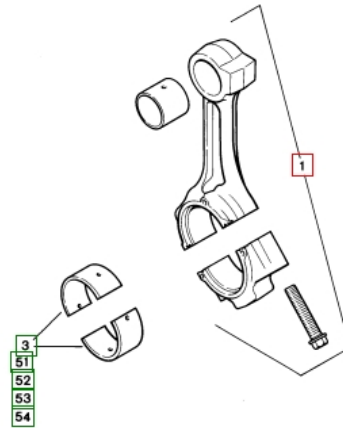


Machine :
Type : DIESEL ENGINE

Serial no. : Assembly : 3 0540 91 77 158

Pos	Order Nr.	I	Quantity	Designation	Serial from	Serial to	VNW	FabNo
1	92 74 241		1,000	GEAR WHEEL Z=37 M=2,5				
2	91 77 162		1,000	GEAR WHEEL Z=42 M=2,5				
4	91 77 770		1,000	HUB				
6	91 31 938		1,000	V-BELT PULLEY d=170				
10	40 01 663		8,000	SOCKET HEAD SCREW DIN 912 M12X1,5X160 10.9 A3C				
12	10 00 14 73		6,000	LOCKING SCREW M12X45 100 RIPP FLZN				

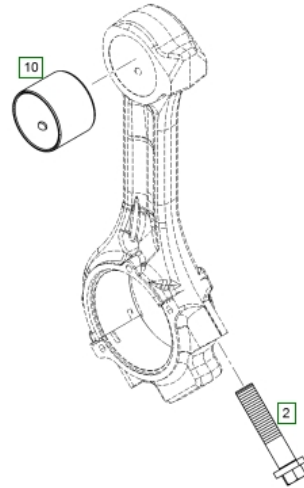
(1/1) 100581 LHB



Machine : Serial no. : Assembly : 3 0600 91 75 978
 Type : DIESEL ENGINE

Pos	Order Nr.	I	Quantity	Designation	Serial from	Serial to	VNW	FabNo
1	98 84 525		1,000	CONROD (->3 0610 98 84 525)				
3	92 71 819		1,000	RK BIG-END BEARING D=75,00				
51	92 71 795		1,000	RK1 BIG-END BEARING D=74,75				
52	92 71 794		1,000	RK2 BIG-END BEARING D=74,50				
53	92 71 793		1,000	RK3 BIG-END BEARING D=74,25				
54	92 71 792		1,000	RK4 BIG-END BEARING D=74,00				

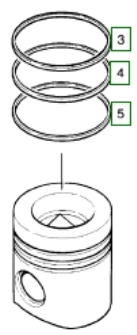
(1/1) 100665 LHB



Machine : Serial no. : Assembly : 3 0610 98 84 525
 Type : DIESEL ENGINE

Pos	Order Nr.	Quantity	Designation	Serial from	Serial to	VNW	FabNo
2	91 74 981	2,000	CONROD BOLT M14X1,5X65				
10	91 32 282	1,000	REP-BUSHING F.CONNECTING ROD				

(1/1) 109580 LHB

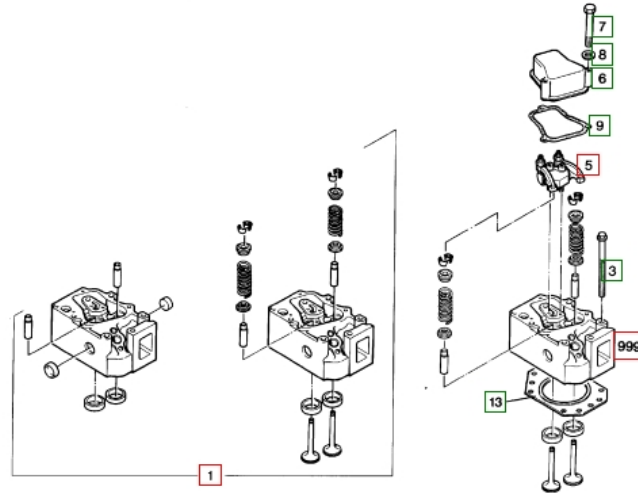


Machine :
Type : DIESEL ENGINE

Serial no. : Assembly : 3 0710 92 66 934

Pos	Order Nr.	Quantity	Designation	Serial from	Serial to	VNW	FabNo
3	70 06 568	1,000	T-RING				
4	40 01 728	1,000	PISTON RING				
5	70 09 655	1,000	DSF RING 115X106X4				

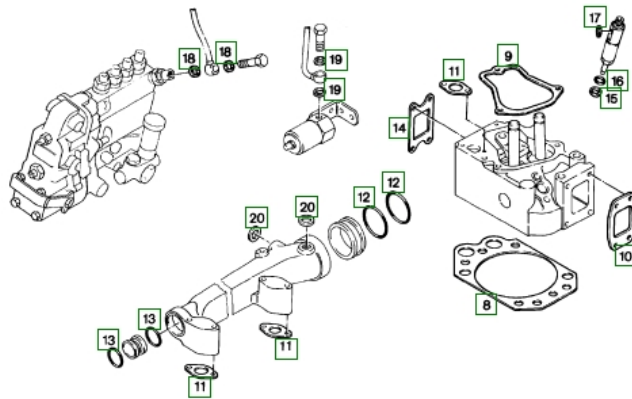
(1/1) 100667 LHB



Machine : Serial no. : Assembly : 3 0800 92 67 172
 Type : DIESEL ENGINE

Pos	Order Nr.	Quantity	Designation	Serial from	Serial to	VNW	FabNo
1	92 67 170	1,000	CYLINDER HEAD PRE-ASSY. (->3 0810 92 67 170)				
3	91 75 565	6,000	CYLINDER SCREW M14X2X161X105 34Cr4				
5	91 57 493	1,000	ROCKER ARM BRACKET PRE-ASS. (->3 0830 91 57 493)				
6	92 67 376	1,000	CYLINDER HEAD COVER				
7	11 65 15 85	3,000	HEX SCREW ISO 4014 M8X70 8.8 480H				
8	46 00 615	3,000	SPRING WASHER B 8				
9	92 68 113	1,000	SEAL				
13	92 77 606	1,000	CYLINDER HEAD GASKET 1,3				
999	92 77 741	1,000	SEAL KIT CYLINDER HEAD D904 EL.-ZKD ASB. (->3 0890 92 77 741)				

(1/1) 100660 LHB

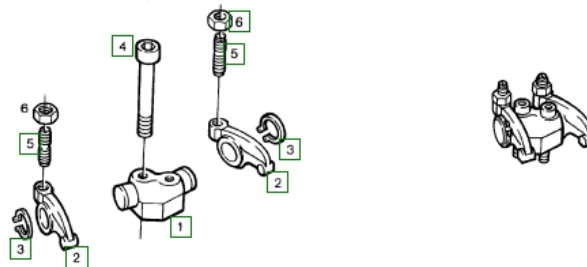


Machine :
Type : DIESEL ENGINE

Serial no. : Assembly : 3 0890 92 77 741

Pos	Order Nr.	I	Quantity	Designation	Serial from	Serial to	VNW	FabNo
8	92 77 606		1,000	CYLINDER HEAD GASKET 1,3				
9	92 68 113		1,000	SEAL				
10	92 68 121		6,000	SEAL				
11	49 80 358		6,000	SEAL 1,5X25X44				
12	73 81 779		2,000	O-RING DIN 3771 59,92X3,53				
13	73 81 780		2,000	O-RING DIN 3771 40,87X3,53				
14	92 71 477		6,000	SEAL				
15	70 06 472		1,000	SHEET GASKET				
16	73 81 843		1,000	O-RING DIN 3771 18,00X1,5				
17	71 01 040		12,000	SEALING RING DIN 7603 A 6X10				
18	71 01 001		2,000	SEALING RING DIN 7603 A 8X12				
19	70 07 952		2,000	SEALING RING DIN 7603 A 10X15X1				
20	71 01 008		2,000	SEALING RING DIN 7603 A 14X18				

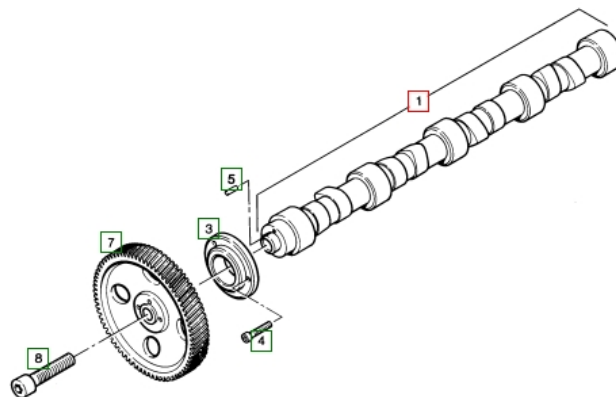
(1/1) 112720 LHB



Machine : Serial no. : Assembly : 3 0830 91 57 493
 Type : DIESEL ENGINE

Pos	Order Nr.	Quantity	Designation	Serial from	Serial to	VNW	FabNo
1	91 75 510	1,000	ROCKER ARM SUPPORT			51	
2	98 83 045	2,000	ROCKER ARM			52	
3	42 80 020	2,000	LOCKING RING DIN 471 25			53	
4	11 00 82 97	2,000	SOCKET HEAD SCREW ISO 4762 M10X55 10.9 FLZN			54	
5	91 75 560	2,000	ADJUSTING SCREW M12X1X37,5X24 C45			55	
6	91 75 559	2,000	HEX NUT M12X1			56	

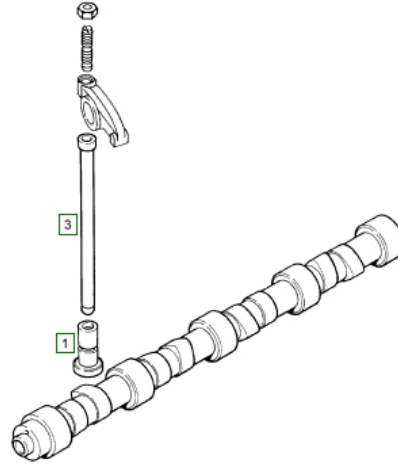
(1/1) 100664 LHB



Machine : Serial no. : Assembly : 3 1000 91 43 615
 Type : DIESEL ENGINE

Pos	Order Nr.	Quantity	Designation	Serial from	Serial to	VNW	FabNo
1	91 57 845	(1,000)	CAMSHAFT CPL. (->3 1010 91 57 845)				
3	91 43 047	1,000	WEARING RING				
4	11 82 02 84	3,000	SOCKET HEAD SCREW ISO 4762 M6X30 8.8 480H				
5	49 80 736	1,000	PARALLEL PIN 6m6				
7	92 67 311	1,000	GEAR WHEEL				
8	40 01 615	1,000	SOCKET HEAD SCREW DIN 912 M16X1,5X60 10.9 A3C				

(1/1) 100657 LHB

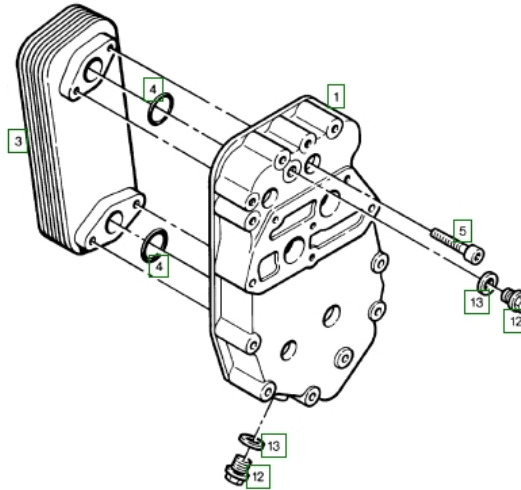


Machine :
Type : DIESEL ENGINE

Serial no. : Assembly : 3 1100 91 77 490

Pos	Order Nr.	Quantity	Designation	Serial from	Serial to	VNW	FabNo
1	92 73 542	2,000	TAPPET				
3	91 77 475	2,000	TAPPET PUSH ROD				

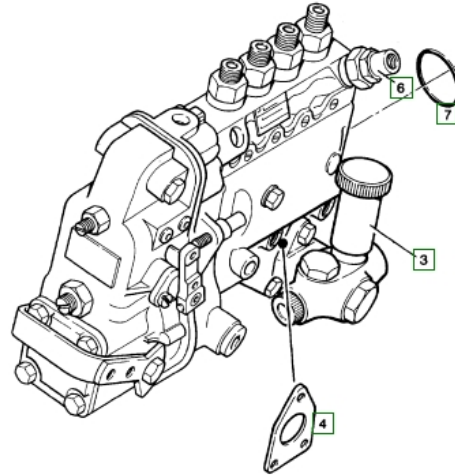
(1/1) 100658 LHB



Machine : Serial no. : Assembly : 3 1310 91 77 906
 Type : DIESEL ENGINE

Pos	Order Nr.	I	Quantity	Designation	Serial from	Serial to	VNW	FabNo
1	91 44 143		1,000	COOLER PLATE				
3	92 69 092		1,000	OIL COOLER				
4	73 81 993		2,000	O-RING 31,42X2,62				
5	12 20 29 76		4,000	SOCKET HEAD SCREW ISO 4762 M8X40 8.8 480H				
12	40 41 125		2,000	SCREW PLUG DIN 910 M14X1,5 ST		2004000000		
12	73 80 566	i	2,000	SCREW PLUG M14X1,5	2004000001			
13	71 01 008		2,000	SEALING RING DIN 7603 A 14X18		2004000000		

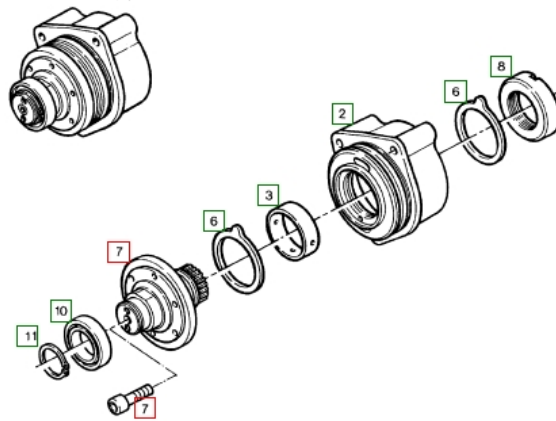
(1/1) 100656 LHB



Machine : Serial no. : Assembly : 3 1700 92 67 674
 Type : DIESEL ENGINE

Pos	Order Nr.	Quantity	Designation	Serial from	Serial to	VNW	FabNo
3	57 00 076	(1,000)	FEED PUMP			57	
4	73 81 461	(1,000)	SEAL			73	
6	50 04 903	(1,000)	OVERFLOW VALVE			50	
7	70 09 805	(1,000)	O-RING 75X3			70	

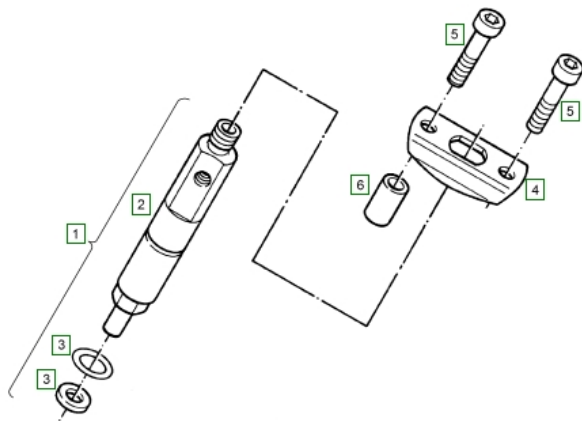
(1/1) 100648 LHB



Machine : Serial no. : Assembly : 3 1810 91 35 293
 Type : DIESEL ENGINE

Pos	Order Nr.	I	I	Quantity	Designation	Serial from	Serial to	VNW	FabNo
2	92 72 014			1,000	PUMP SUPPORT MW-PUMPE				
3	91 43 907			1,000	BEARING BUSH 60/64X19,8				
6	91 48 325			2,000	WEARING RING				
7	91 35 292			1,000	HUB PRE-ASSY. (->3 1809 91 35 292)				
7	11 00 27 48			(1,000)	-SOCKET HEAD SCREW ISO 4762 M12X35 10.9 FLZN				
8	91 43 910			1,000	THREADED RING 55X84X20				
10	40 01 690			1,000	DEEP GROOVE BALL BEARING -6008C3 40X68X15				
11	40 01 993			1,000	LOCKING RING DIN 471 40				

(1/1) 105807 LHB

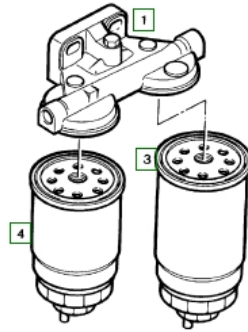


Machine :
Type : DIESEL ENGINE

Serial no. : Assembly : 3 1900 92 68 733

Pos	Order Nr.	I	I	Quantity	Designation	Serial from	Serial to	VNW	FabNo
1	90 78 853			1,000	RK INJECTION NOZZLE				
2				1,000	INJECTOR				
2	70 08 452			1,000	-NOZZLE				
3	90 78 850			1,000	SEAL KIT INJECTION NOZZLE Alte ZK				
4	70 06 471			1,000	FLANGE				
5	10 87 56 01			2,000	SOCKET HEAD SCREW ISO 4762 M8X50 8.8 480H				
6	91 44 254			1,000	DISTANCE SLEEVE 9X15X34,7				

(1/1) 101514 LHB

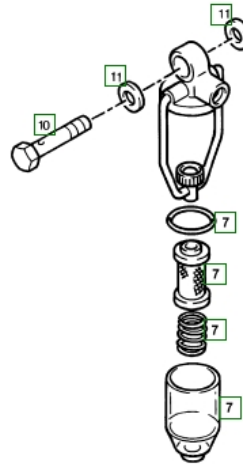


Machine :
Type : DIESEL ENGINE

Serial no. : Assembly : 3 2001 91 30 802

Pos	Order Nr.	I	I	Quantity	Designation	Serial from	Serial to	VNW	FabNo
1	91 31 477			1,000	FILTER BRACKET				
1	70 09 590			(1,000)	-VENTILATION SCREW				
3	73 82 048	i		1,000	FUEL FINE FILTER 17µm				
4	70 08 776			1,000	PREFILTER 60µm				

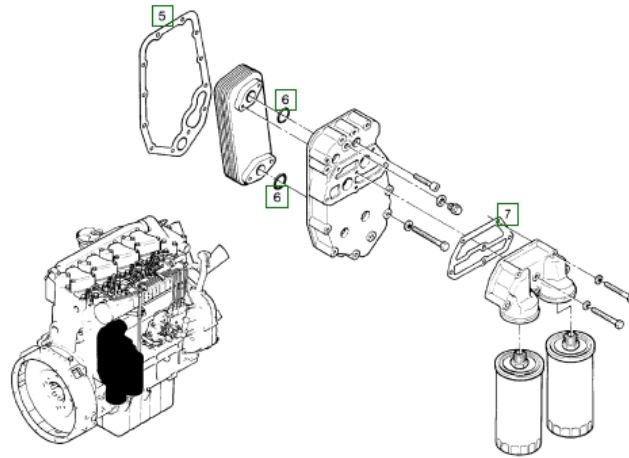
(1/1) 100641 LHB



Machine : Serial no. : Assembly : 3 2010 73 60 197
 Type : DIESEL ENGINE

Pos	Order Nr.	I	I	Quantity	Designation	Serial from	Serial to	VNW	FabNo
7	50 02 157			1,000	REPAIR SET FUEL FILTER				
10	40 01 439			1,000	HOLLOW SCREW 10-3				
11	49 00 262			2,000	SEALING RING DIN 7603 A 14X20				

(1/1) 117283 LHB

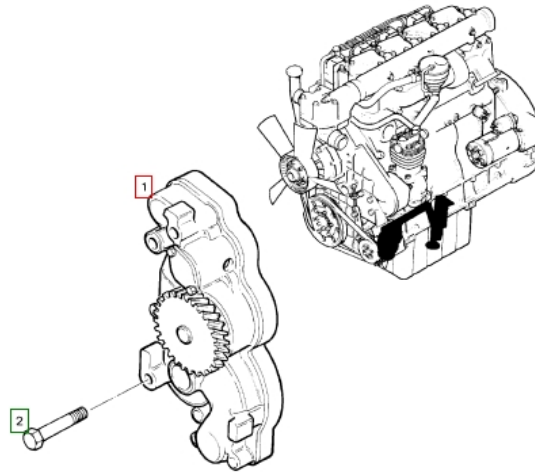


Machine :
Type : DIESEL ENGINE

Serial no. : Assembly : 3 1390 92 68 118

Pos	Order Nr.	Quantity	Designation	Serial from	Serial to	VNW	FabNo
5	92 68 119	1,000	SEAL				
6	73 81 993	2,000	O-RING 31,42X2,62				
7	92 68 120	1,000	SEAL				

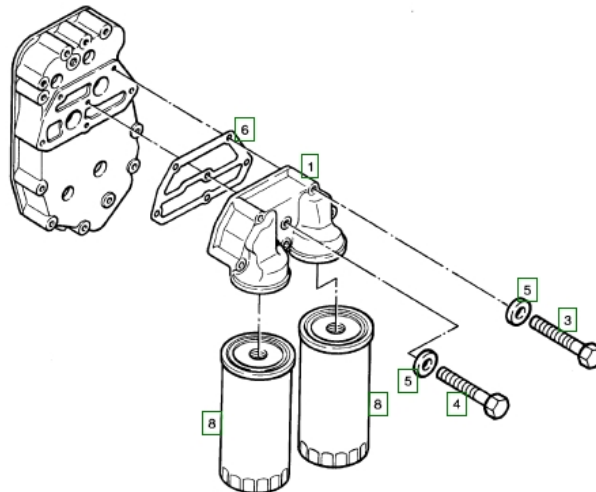
(1/1) 100654 LHB



Machine : Serial no. : Assembly : 3 1400 91 44 549
 Type : DIESEL ENGINE

Pos	Order Nr.	I	I	Quantity	Designation	Serial from	Serial to	VNW	FabNo
1	91 44 550			1,000	LUBRICATING OIL PUMP (->3 1410 91 44 550)				
2	10 29 96 45			3,000	HEX SCREW ISO 4014 M10X85 10.9 FLZN				

(1/1) 100584 LHB



Machine : Serial no. : Assembly : 3 1500 91 44 588
 Type : DIESEL ENGINE

Pos	Order Nr.	I	Quantity	Designation	Serial from	Serial to	VNW	FabNo
1	92 66 769		1,000	OIL FILTER BRACKET				
3	11 65 15 85		4,000	HEX SCREW ISO 4014 M8X70 8.8 480H				
4	40 02 051		2,000	HEX SCREW ISO 4014 M8X120 8.8 A2C				
5	46 00 615		6,000	SPRING WASHER B 8				
6	92 68 120		1,000	SEAL				
8	55 02 096		2,000	EASY-CHANGE FILTER 20µm				

(1/1) 100653 LHB